



For product line, service and delivery, it's open and shut.

 **ROYAL**<sup>®</sup>  
Garage Door Systems

You need garage door components that look, fit and perform as well as your garage doors. Getting them when you need them in the profiles, colors and lengths that are exactly right would be nice. As would eliminating any service-related callbacks. We get that, and we deliver on it.



# Garage Door Stops



 P5 Chocolate†	 P31 Brown**	 P44 White**
 P48 Almond**	 P72 Chestnut Brown†	 P78 Bright White†
 P401 Terra Bronze†	 P408 Sandstone**	 P443 Wickert†
 P446 Ideal Brown†	 P477 Claytone†	 P501 Hunter Green†
 P509 Gray†	 P547 Almond†	 P574 Desert Tan†
 P599 Medium Oak†	 P603 Dark Oak†	 P604 Fiery Brown†
 P607 Bronze**	 P615 Walnut†	 P620 Cherry†

## Even our garage door system colors have stopping power.

Complementary design elements for garage doors should come in more colors than five, or 10 or 15. We currently offer 21, and we're always adding more.††

## Features and benefits:

- Lifetime never rot material
- Seals out dirt, bugs, wind, snow and water
- Strong and durable
- Moisture resistant
- Dent resistant
- Reduces energy costs
- Termite proof

\*\* Always available for door stops, door jams and brick mould

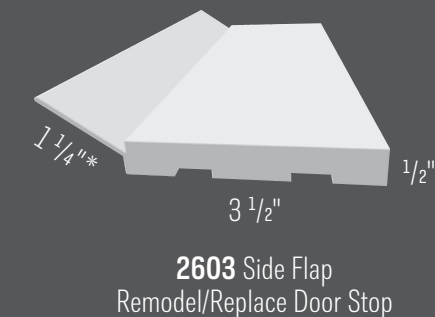
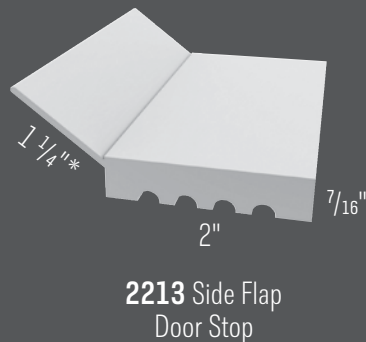
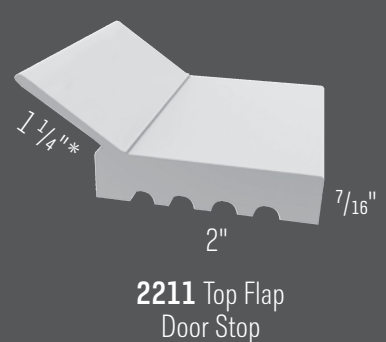
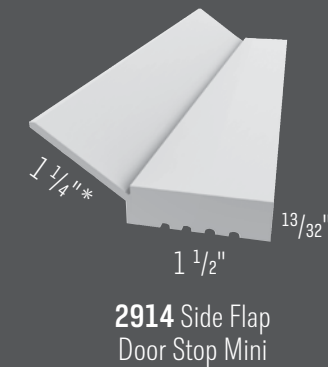
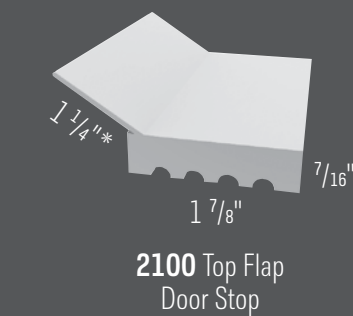
† Special order colors for door stops only

†† Call Customer Service for profile and color availability



## Keeps the elements on their side of the door.

The Royal Garage Door System—including never rot brick mould, jamb and garage door stop—protects what's in the homeowner's garage from the weather and just about every other uninvited element. It's engineered to seal out dirt, bugs, wind, snow and water and match up beautifully with most garage styles and colors. Plus its low-maintenance characteristics mean one-time installation.



\* All flap measurements are nominal.



When we say our moulding is a true 2 inches, it's really true.

# Garage Door Jamb & Brick Mould



## Garage Door Trim System

### Additional door system benefits:

- Insulated 70% better than wood
- No painting needed
- Mold and mildew resistant

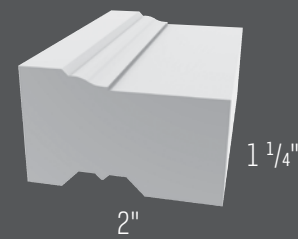


**A** Brick Mould   **B** Jamb (non load-bearing)   **C** Garage Door Stop

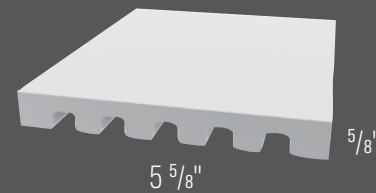
## Our garage door stops are just the start.

Our garage door jambs and brick moulds are made from the same weather-resistant PVC as our garage door stops, and come through with the same element-sealing insulation and maintenance-free performance.

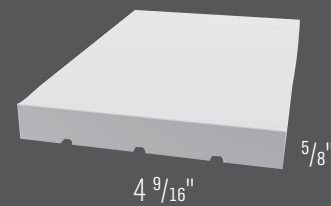
All door stops come with a woodgrain embossed texture. **Jamb 2497** and **Utility Trim 2709** also come with a woodgrain embossed texture.



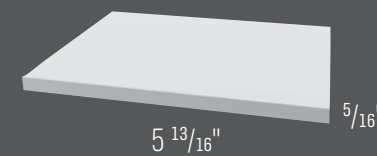
**2448** Brick Mould



**2497** Jamb



**2328** Jamb



**2709** Utility Trim

Brick mould, door jambs and utility trim are available in Brown, White, Almond, Sandstone and Bronze.

# Installation tips

## SAWING/CUTTING

- Use standard woodworking equipment for most applications.
- If using a power miter saw, a carbide-toothed blade with 80 teeth or more is recommended.



## NAILING

- Use 6d and 8d galvanized nails.
- Place nails 12" on center, approximately 3/4" from each edge.
- Pre-drilling is required at temperatures of 40°F or below.
- Royal Moulding can also be installed using a pneumatic nailer, with stainless steel or painted head screws or with construction-grade adhesives.



## FASTENING TRIM BOARD

- Use fasteners designed for wood trim and wood siding (thinner shank, blunt head, full round head) with trim board. Use only fasteners intended for exterior use, such as stainless steel or hot-dipped galvanized.
- DO NOT USE staples, small brads and wire nails. The fasteners should be long enough to penetrate the solid wood substrate a minimum of 1 3/4".
- Use two fasteners per every framing member for trim board applications. Trim boards 12" or wider, as well as sheets, will require additional fasteners. Fasteners must be installed no more than 2" from the end of each board.
- Trim boards should be fastened into a flat, solid substrate. Fastening trim boards into hollow or uneven areas must be avoided. Unless product is installed in lower temperatures (< 40°F) pre-drilling is typically not required. Thinner trim products (3/8" and 1/2") are not intended to be ripped into trim pieces. They are to be glued to a substrate and mechanically fastened.

## GLUING

- Temperature variations will cause PVC mouldings to expand and contract. To prevent open miter joints, we highly recommend gluing all joints on PVC mouldings using a quality instant glue, PVC cement or OSI TeQ Bond.
- When assembling, splice and return miters by gluing the mouldings together before installation. This will allow you to fit the joints easily, and fasten the trim to the wall as one unit.
- Always test adhesive brands before using.



## PAINTING

- 100% acrylic latex paints can be used to achieve custom finishes.
- To maintain warranty for custom colors in darker shades, use heat-reflective paint with VinylSafe™ Technology from Sherwin-Williams. (Dark colors are considered any color that falls within the lightness (L) value of 56 to 0, with 100 being white and 0 being black.)
- Unfinished trim board and sheet stock require no painting for protection, but can be painted with 100% acrylic latex paint to achieve custom colors. (Scuff sanding will optimize paint adhesion, but is not required. A second coat may be needed to achieve desired color.)



## TOUCH-UP FOR EXTERIOR MOULDINGS

- Dap® "All Purpose" Painter's Putty®
- Minwax High Performance Wood Filler®
- Elmer's Fill-N-Finish Light Wood Filler®
- Sherwin Williams Shrink Free Spackling®

After installation is complete, caulk and/or putty all gaps and nail holes.

## CLEANING

- Royal Moulding can be cleaned using any of the recommended household cleaners listed below; however, glass cleaner has been shown to be best at keeping the finish intact.
- Recommended cleaners: Windex®, 409® Glass and Surface Cleaner, Spic and Span®, Cinch®, Fantastik® All Purpose, etc.
- Apply the cleaning solution and immediately wipe dry for best results.
- Avoid harsh cleaners with glycol ethers, ethanol type solvents and/or isopropyl alcohol as they can soften the PVC finish if left on for several minutes.



## BRICK MOULD & JAMB INSTALLATION

1. Remove old jamb, brick mould and garage door stop with a pry bar or hammer.
2. Measure the top opening from side to side and cut jamb to fit with a fine tooth power or hand saw.
3. Install top jamb piece using 8d galvanized finishing nails to 2x4 or 2x6 structural frame members. Alternate nailing from side to side, nailing every 12" and approximately 3/4" from each edge. Note: If nailing product at 40°F or below, pre-drilling is required.
4. Measure and cut jamb side pieces to fit from top jamb to floor. Nail as directed.
5. Measure top brick mould to overlap the jamb material by 1/2". This will allow for a 1/8"-1/4" reveal around the jamb. Reveal should be both on top and sides. Cut 45° angle on ends, butt or angle joint middle seam if needed. \*Note: Reveal may vary depending on siding, siding J-channel, brick or block installation.
6. Install brick mould using 10d or 3" galvanized finishing nails, spaced 12" on center. Use PVC cement or OSI TeQ Bond in the mitered joint for optimum fit. \*Note: nails should penetrate structural frame at least 1".
7. Measure and cut side brick mould trim to fit. Install as directed.

## GARAGE DOOR STOP INSTALLATION

1. When installing Garage Door Stop alone, open the garage door and remove old door stop with standard claw hammer.
2. Close garage door. Begin Garage Door Stop installation by measuring and marking 1/2" from outside of garage door several places around the jamb. Connect the marks with a straight edge, then open door again.
3. Measure top opening from side to side and cut Garage Door Stop ends square with fine tooth power or hand saw.
4. Place grooved side against jamb and inner edge, (where hard vinyl joins weatherstrip) along marked lines. Nail in place with 6d galvanized finishing nails in the pre-punched nail guides or 8" on center.
5. Measure and cut each piece to fit, from top piece to floor. With grooved side against jamb, position nail as directed.
6. For a good drainage and overlap, trim side stop pieces at a 45° angle with scissors where the soft vinyl weather stripping meets the top.

## SLAT WALL INSTALLATION

Mount the system by screwing directly into the studs. Screws should be #8, minimum, in size and long enough to penetrate studs by 1/2 their length. Length may vary depending on wall construction. Join panel ends over studs to maximize load capacity.

# FAQs

## What is the best caulking to use with your Brick Mould, Thermo Stop, and Jamb?

We recommend using Liquid Nails Super Caulk Window & Door LC130 for indoor/outdoor use.

## How do you clean the product?

We recommend cleaning our exterior mouldings with the following cleaners: Windex, Glass Plus, 409 Glass & Surface Cleaner, Spic & Span Cinch, Fantastik All-Purpose, Regency Glass & Surface, Clorox Clean-Up or Fantastik Orange Action. The cleaning solution should be applied and immediately wiped dry. The cleaning solution should not be left to stand on the components for an extended period of time.

## What colors are your exterior mouldings offered in?

Our exterior mouldings are available in Bright White. Our Garage Door Stop is available in White, Sandstone, Brown, Bronze and Almond.

## Do you have to predrill before nailing?

If nailing product at 40°F or below, pre-drilling is required.

## How do you cut the moulding?

Royal Mouldings can be cut using standard woodworking equipment. If using a power miter saw, we recommend using a carbide toothed blade with 80 teeth or more.

## Can you use a nail gun on your products?

Royal Mouldings can be installed using pneumatic nail guns.

## What surfaces can your moulding be attached to: plaster, stucco, vinyl, brick, concrete, wood?

The moulding can be attached to any of the above surfaces.

## What kind of nails do you have to use or does it have to be nailed at all?

Royal Mouldings can be installed with nails or construction adhesive. If nailing, use galvanized finishing nails for exterior applications and finishing nails for interior applications. Place nails 12" on center approximately 3/4" from each edge.

## Can you paint the flex on Garage Door Stop?

No, we do not recommend painting the flex.

## Can I use screws in your moulding?

Yes, we recommend a non-corrosive metal such as galvanized, stainless or coated screw for exterior applications. Any type is acceptable for interior applications.

## **GARAGE DOOR STOPS**

**2016** Door Stop  
**2089** Door Stop  
**2100** Door Stop  
**2149** Door Stop  
**2211** Door Stop  
**2213** Door Stop  
**2591** Door Stop  
**2603** Door Stop  
**2914** Door Stop Mini  
**3029** Door Stop

## **GARAGE DOOR JAMBS & BRICK MOULD**

**2328** Jamb  
**2497** Jamb  
**2448** Brick Mould  
**2709** Utility Trim

## **GARAGE SLAT WALL SYSTEM**

**2689** Quarter Round  
**7701** Slat Wall  
**7709** Backband  
**7834** Trim Board 1x4  
**7835** Trim Board 1x6

Window & Door Surrounds • Decorative Moulding • Soffit • Fascia • Trim

 **ROYAL**® Exteriors

135 Bear Creek Road, Marion, VA 24319  
1.800.368.3117 [royalbuildingproducts.com](http://royalbuildingproducts.com)

**An Axiall Company**

© 2014 Royal Building Products