



BEAM CLAMPS

Beam Clamps are designed to be used as a temporary or permanent fixed position lifting point for overhead rigging without drilling or welding. Beam Clamps reduce the I-beam flange stress by distributing loads away from the flange edges during overhead lifting and rigging applications.

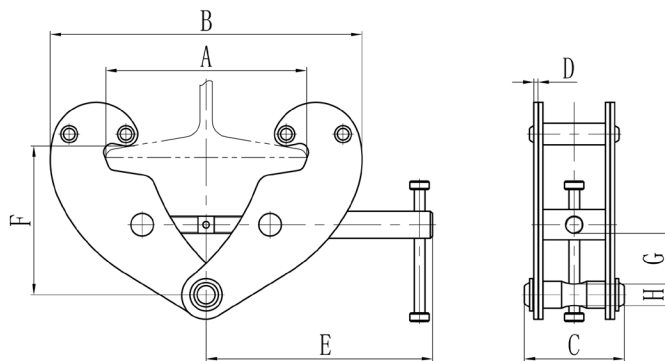
Instructions for the SAFE USE of Beam Clamps

Using beam clamps safely

- Ensure that the beam clamp is of correct capacity for the load being lifted and that the beam will not be damaged by localized overloading.
- Ensure that the clamp is fitted correctly over the center of gravity of the item being lifted and will not be subjected to side loading.
- Before lifting a load, ensure that the clamp has been tightened and that the lifting appliance is fitted correctly into the eye of the clamp.

In-service inspection and maintenance

- Ensure that beam clamps are kept clean and moving parts are lubricated.
- Regularly inspect beam clamps for wear, damage, distortion, cracks, and any defects likely to cause danger.
- If any of the above defects are found, remove the beam clamp from service and refer to a competent professional.



- Rugged all-steel construction.
- Fits wide range of beam sizes.
- Black CED finish (Cathodic Electro Deposition).
- Tagged for traceability.
- Built-in suspension bar for easy attachment to load.
- Load bar diameter: 1 or 2 ton = 3/4"
3 ton = 7/8". 5 ton = 1-1/8"
- 1 and 2 ton fits flange width range of 3-9 inches.
3 & 5 ton fits flange width range of 3-12 inches.

Safe Working Load (Ton)	Test Load (Lbs)	Adjustable Beam width mm	A		B		C	D	E	F		G	H
			max.	min.	max.	min.				max.			
			mm	mm	mm	mm				mm	mm		
1	2,800	75-230	240	192	367	94	4	194	102	154	22	20	
2	5,600	75-230	240	192	367	102	6	194	102	154	22	20	
3	8,400	80-345	355	243	520	132	8	241	133	223	38	22	
5	14,160	80-345	355	243	520	142	10	241	133	223	35	28	

Fehr Bros. will provide you with quality Theatrical Rigging Hardware, priced to keep you ahead of the competition and shipped quickly from substantial stocked inventories. Make Fehr Bros. your #1 choice for Theatrical hardware. www.fehr.com/beam-clamps-1

FEHR BROS. INDUSTRIES, INC. 895 KINGS HWY, SAUGERTIES, NY 12477

CALL 800.431.3095 | FAX 888.352.1790 | www.fehr.com