

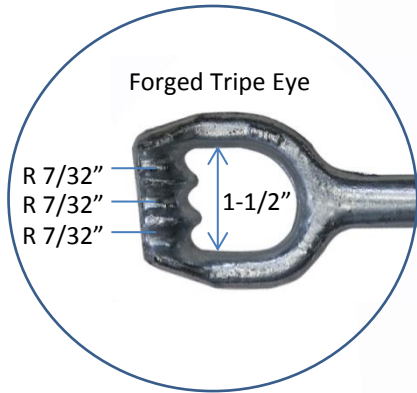


Fehr Forged No-Wrench Anchors

3/4" x 66" Triple Strand No-Wrench Screw Anchor 6" Helix

Anchors are installed by simply turning the anchor into the ground, utilizing a turning bar placed through the anchor's forged eye. No-Wrench Anchors can be installed by hand or by machine.

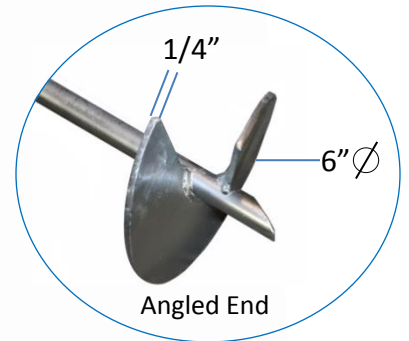
Screw Anchors consist of a forged triple eye rod with an angled point, and a firmly welded helix.



Fehr Part # Helix6-66

66"

3/4" ϕ



Part Number	Helix OD	Helix Thickness	Rod Size
Helix4-54	4"	3/16"	3/4"x54"
Helix6-66	6"	1/4"	3/4"x66"
Helix8-66	8"	1/4"	1"x66"
Helix10-66	10"	1/4"	1-1/4"x66"
Helix10-96	10"	1/4"	1-1/4"x96"

- Rod conforms to 1045
- Plate conforms to Q345
- Hot Dipped Galvanized in accordance with ASTM A123/A123M with Coating Grade: 80